

REFERENCE : KI0354

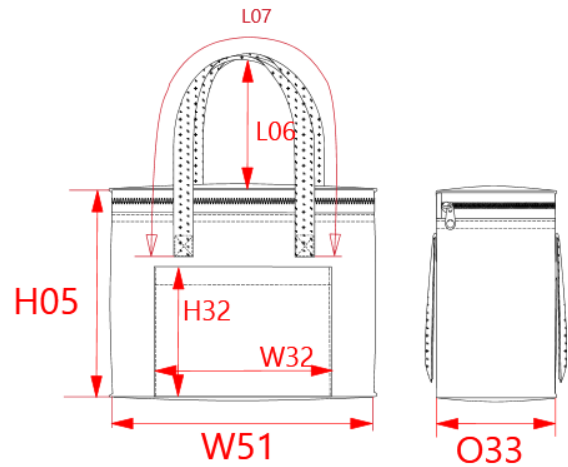
SIZES : U

COMPOSITION :

Main fabric : Jute PU backing - 330 For bag 100%jute
 Main fabric : Cotton canvas - 130 For front pouch 100%cotton
 Lining 1 : EPA foam High density insulating internal foam 100% EPA
 Lining 2 : PEVA Aluminium lining on inside, special for cooler bags. 100%polyethylene vinyl acetate

ARTICLE WEIGHT :

335 gr/pc



DESCRIPTION	COLORS	PANTONE SERIGRAPHIE
<p>Français : Sac isotherme en jute - grand modèle English : Jute cool bag-large size Nederlands : Koeltas van jute - groot model Deutsch : Große Kühltasche aus Jute Español : Bolsa isotérmica de yute - modelo grande Italiano : Borsa isotermica in iuta - modello grande Português : Saco isotérmico em juta - modelo grande</p>	Natural	7534C

MEASUREMENT							
Description	U						
H05 Hauteur totale / Total height	32						
W51 Total width	38						
L07 Light of shoulder handles	61						
H32 Hauteur poche devant / Front pocket height	26						
W32 Largeur poche devant / Front pocket width	30						
L06 Light of top handle	22						
O33 Deep of bottom part	16						

PACKING	
Box	40 pcs / box U => L:70cm W:60cm H:55cm GW:16.55kg NW:13.20kg